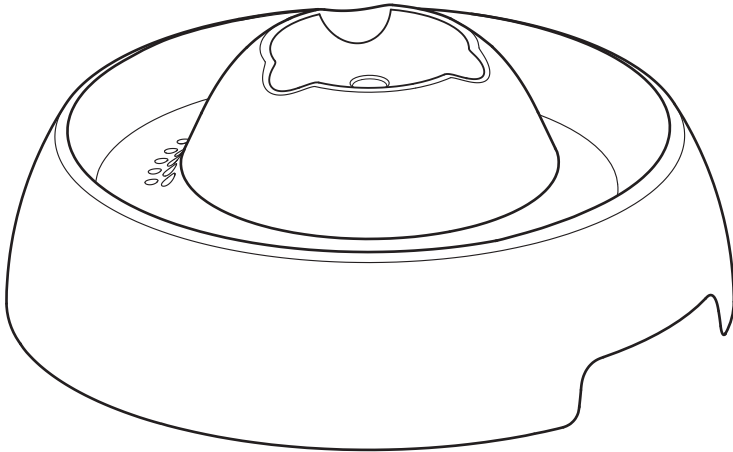
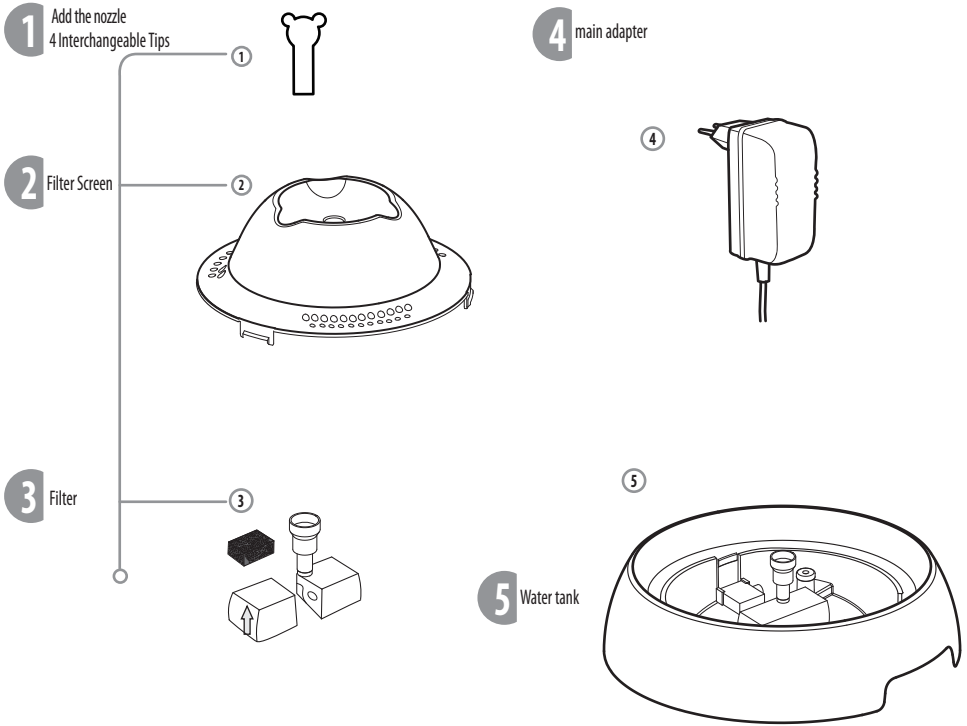


# PET WATER FOUNTAIN



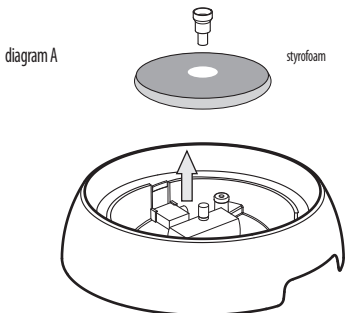
**INSTRUCTIONS**

## Main Components

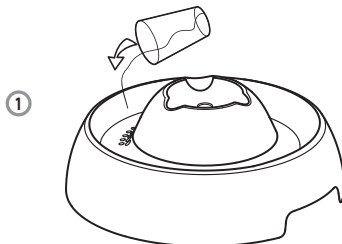


## Operating Instructions

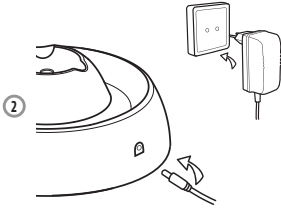
Before using the pet fountain, remove the styrofoam from under the filter (see diagram A)



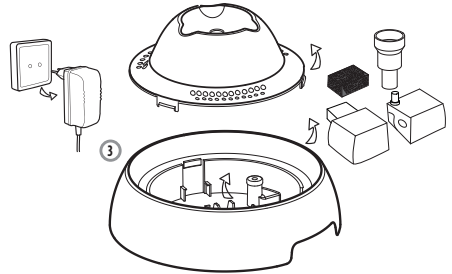
**1** Fill the water fountain with water. Note : water in the water fountain is in circulation , do not overfill.



- 2** Connect power jack to the water fountain . Plug the power adapter into the socket. Then the water fountain starts to work.



- 3** To clean, Pull the tip out. Pull the cover out. Remove the filter from the filter holder. Clean the filter. Wash the water tank. After cleaning, replace the filter cover and tip in place. Cleaning is recommended every 3-4 weeks.



## Cautions

- 1** The water fountain is for indoor use only. Place it horizontally and stably on the floor with less than 5 degree inclination but more than 10 cm away from walls.
- 2** Make sure the water fountain is placed in a dry, cool and well-ventilated environmental . Keep it away from valuable furniture or appliances as well as explosive & combustible materials.
- 3** Any modifications on the main adapter or lengthening the power cord is strictly forbidden.
- 4** Please unplug the main adapter during cleaning, maintenance and when not in use period . Do not immerse the water fountain into the water when cleaning . Petroleum or organic solvents are not suggested in cleaning the water & fountain.
- 5** If the power cord is damaged , replace it with exclusive cord.
- 6** Please remove the packaging material of polystyrene before using FOUNTAIN and wipe clean with a dry cloth, so all residue from the styrofoam is removed.

### SAFETY TIPS

INSTRUCTIONS PERTAINING TO A RISK OF FIRE, ELECTRIC SHOCK, OR INJURY TO PERSONS

IMPORTANT SAFETY INSTRUCTIONS  
WARNING: To guard against injury, basic safety precautions should be observed, including the following:

1 READ AND FOLLOW ALL SAFETY INSTRUCTIONS

and all the important notices on the appliance before using the pump. Failure to do so may result in damage to this appliance.

2 DANGER – To avoid possible electrical shock, special care should be taken since water is employed in the use of this product. For each of the following situations, do not attempt repairs yourself; or discard the appliance.

A) Do not operate the appliance if it has a damaged electrical cord or plug, or if it is malfunctioning or if it is dropped or damaged in any manner. The power cord of this appliance cannot be replaced: if the cord is damaged, the appliance should be discarded. Never cut the cord.

B) The electrical outlet should always be above the level of the appliance. If the plug or outlet does get wet, DO NOT unplug the electrical cord. Disconnect circuit breaker that supplies power to the appliance, then unplug and examine for presence of water in the outlet.

C) This appliance is not intended for use by persons (including children) with significantly impaired physical or mental capabilities, Children should always be supervised to ensure that they do not play with the appliance.

D) To avoid injury, avoid contact moving or hot parts.

CAUTION Always unplug or disconnect the appliance from the outlet before putting on or taking off parts and while the equipment is being installed, maintained or handled. When inserting or removing the pump from the water, always pull out the main electrical plug. Never yank the cord to pull the plug from outlet. Grasp the plug and pull to disconnect. Always unplug an appliance from an outlet when not in use. Never lift the pump by the cord.

CAUTION:  
THIS IS A PET DRINKING FOUNTAIN PUMP.

This pump has been evaluated for use with freshwater only. Do not use this pump for other than its intended use (i.e. don't use on swimming pools, bathrooms, etc.). The use of attachments not recommended or sold by the appliance manufacturer may cause an unsafe condition.

- Do not use the pump in swimming pools or other situations where people are immersed.
- This pump is suitable for use in water temperatures up to 35° C.
- Do not use this pump with inflammable liquids.
- Do not install or store the appliance where it will be exposed to temperatures below freezing. Shelter the pump from direct sunlight.
- Ensure that the appliance is placed on a flat, even surface. Monitor the appliance regularly. Do not leave appliance unattended for extended periods. Do not allow the pump to run dry. The pump must be immersed in water completely. This pump must never operate outside of water.
- If an extension cord is necessary, ensure the

connection is watertight and dust proof. A cord with a proper rating should be used. A cord rated for less amperes or watts than the appliance rating may overheat. Care should be taken to arrange the cord so that it will not be tripped over or pulled.

• Do not use this unit outdoors. This unit is for indoor use only.

SAVE THESE INSTRUCTIONS FOR FUTURE REFERENCE.

Only the faithful observation of these installation, electrical and maintenance guidelines will ensure the safe and efficient use of this drinking fountain.

### WEEKLY MAINTENANCE

Do not immerse the whole fountain unit into water to wash. You could fill some water into the bowl and wash it before use.

Wash fountain with a soft sponge and a non-abrasive cleanser. Rinse thoroughly, ensuring no soapy residue. Remove the filter from the base and rinse. Do not wash the filter with soap. If filter contains excess debris or other foreign matter, replace it (replacement filters sold separately). The filter should be cleaned every 3-4 weeks or when there are visible signs that the filter is saturated with foreign matter (debris, food, hair, etc.) More frequent changes may be necessary due to indoor environmental and water conditions, as well as multiple pet use. Should pump appear dirty, open pump and remove impeller cap and impeller. Remove any debris from the impeller and clean impeller well with cotton swab. Handle impeller with care.

Technical Parameters

Capacity: 1L  
Input: AC 230-240V 50Hz 40mA(Max) Output: AC 12V/300mA

**EN.**

**Pet Water Fountain**

Fresher better tasting filtered water

Encourages pets to drink more

Helps promote pet health

4 interchangeable tips

Easy to fill

Easy to use

Easy to clean

Low energy consumption

Food Grade Material

LA 80407



4 054651 804070

Made in China

