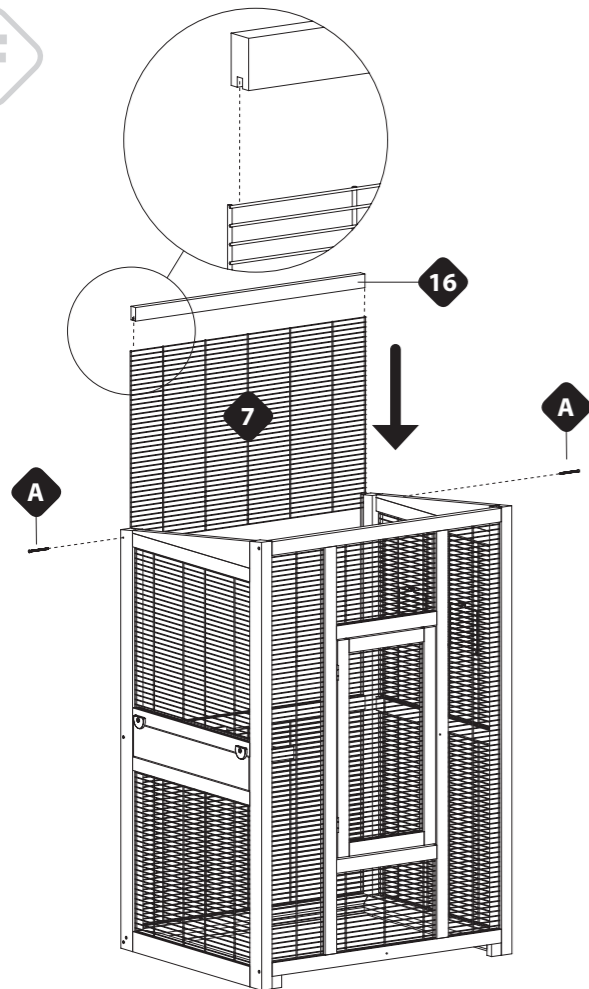
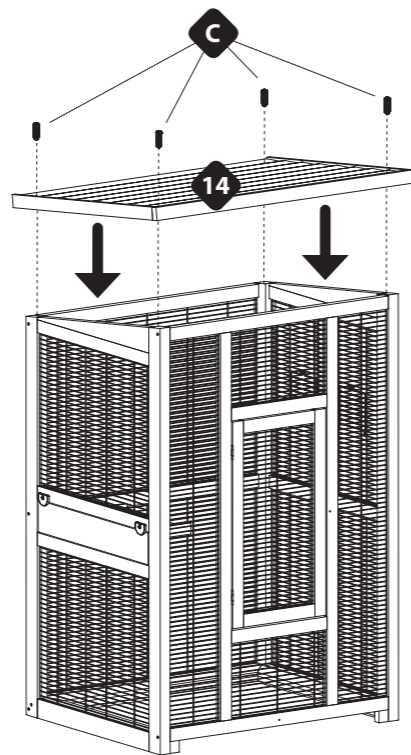
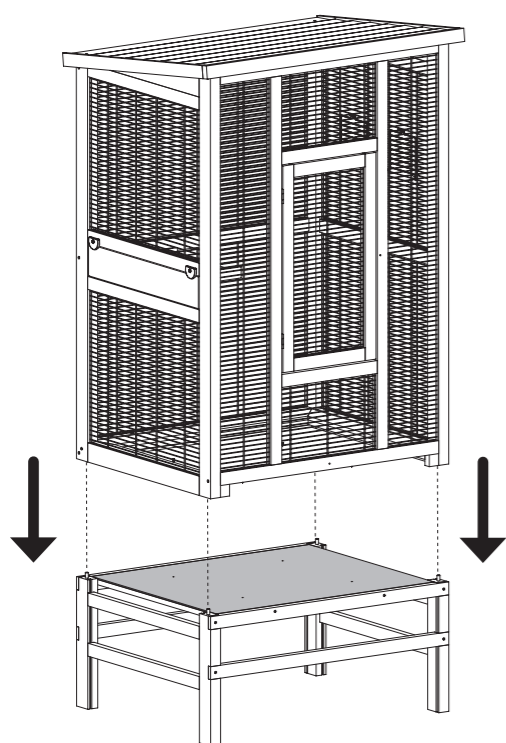
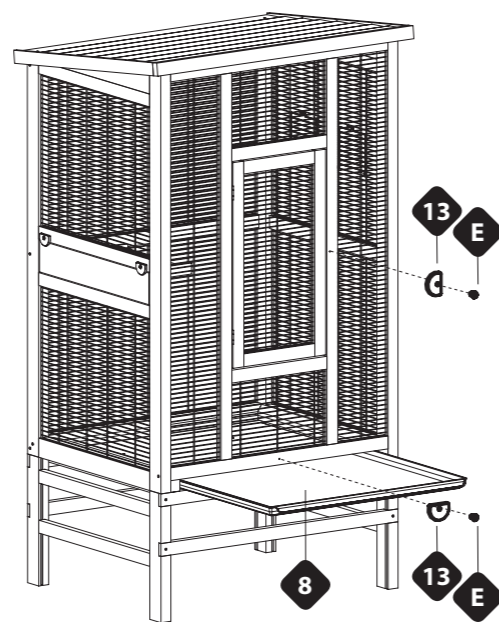
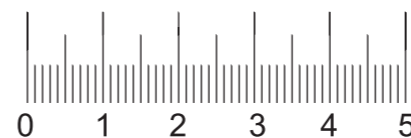


F**G****H****I**

Cod. 56160514ZP
830 x 670 x 1530 mm



- | | | | | | |
|---------------------------------|----------------------------------|----------------------------------|-----------------------------------|----------------------------------|-----------------------------------|
| 1
 | 2
 | 3
 | 4 x2
 | 5 x2
 | 6
 |
| 9 x2
 | 10 x2
 | 11
 | 12
 | 13 x2
 | 8
 |
| 14
 | 15
 | 16
 | 17 x2
 | 18 x4
 | |
| A x12

Ø 4 x 60 mm | B x4

Ø 3,5 x 45 mm | C x4

Ø 3,5 x 35 mm | D x11

Ø 3,5 x 30 mm | E x2

Ø 4,2 x 16 mm | F x4

Ø 2,9 x 9,5 mm |
| | | | | x5
 | x2
 |

